



# Residential

DOUBLE GLAZING BLIND SYSTEM



# Realizations



## Benefits

- Manually operated for precise control
- Blinds can be raised or lowered to suit the weather conditions
- Blinds can be tilted to regulate precisely the level of light and heat entering the home
- Unbeatable protection against glare and build-up of heat
- Cannot get dirty or dusty
- Slats cannot be damaged
- Provides complete privacy
- Can be combined with a range of toughened / high performance glasses
- Choice of 9 coloured slats / 8 pleated fabrics (see colour charts)

## Operation

Manual operation with continuous cord loop  
Motorised - with remote control on request

## Applications

- Suitable for all vertical window applications
- Ideal for conservatories, kitchens and bathrooms as well as folding / sliding door systems

## Features

width (mm)	height (mm)
300 - 1.000	300 - 2.000

4 mm internal glass only

Sizes outside above dimensions available on request

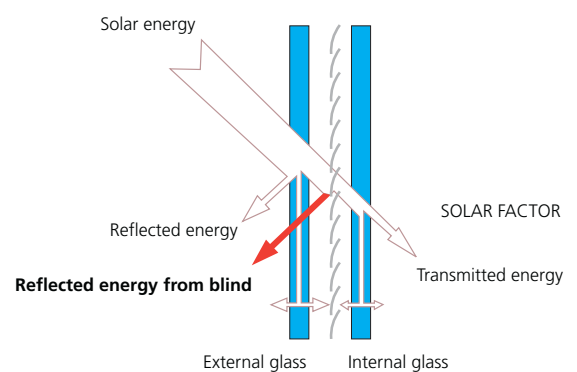




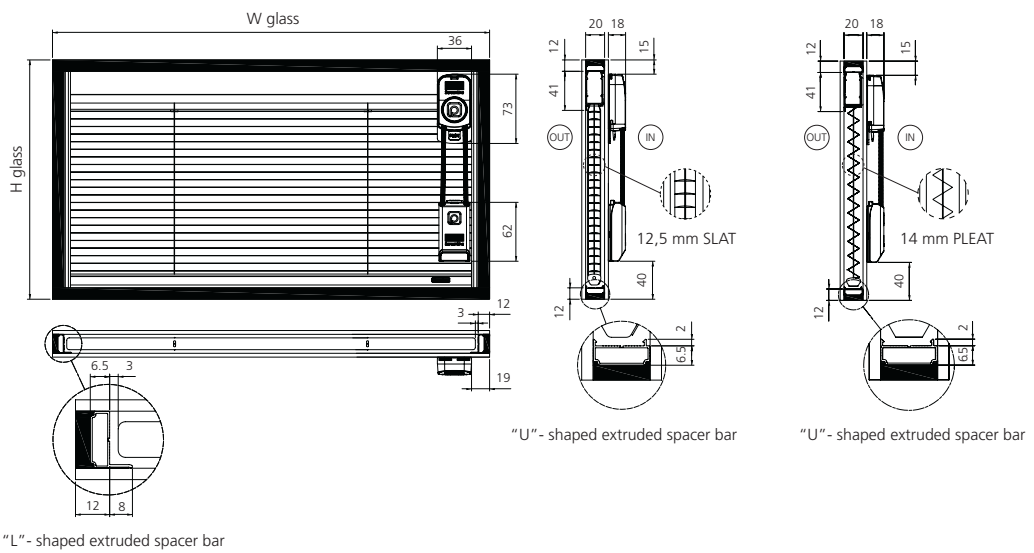
## Solar shading properties

A double glazing unit with an integrated ScreenLine® blind is an excellent screen against solar radiation and offers the possibility to quickly and easily adjust the internal environmental lighting level. Due to the glass transparency, the use of normal double glazing units is often not enough to guarantee correct control of solar energy.

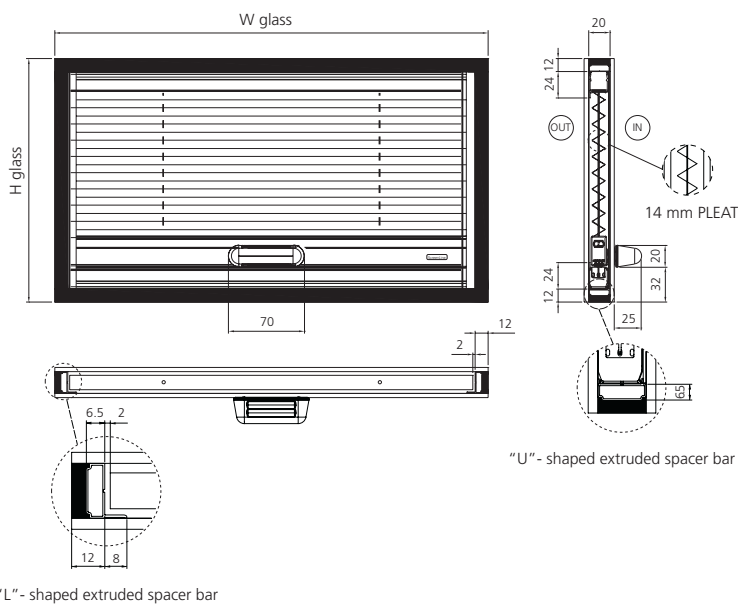
A ScreenLine® integrated system, on the contrary, filters the light transmission and affects its value by the tilting of the slats (in case of venetian blinds) or by lowering the blind (in case of pleated blinds). The heat and visual comfort are improved according to the various seasons.



# SL20C venetian and SL20C pleated



# SL20S pleated



## Colours

### Venetian blind colours



-   
S102  
white
-   
S149  
cream
-   
S157  
silver
-   
S106  
light  
yellow
-   
S125  
beige
-   
S130  
light  
green
-   
S142  
light  
blue
-   
S155  
light  
grey
-   
S156  
metallic  
silver

### Pleated blind colours

-   
C000  
white
-   
C010  
cream

Opaque

### optional colours – silver metallised outside

-   
000  
grey
-   
936  
dark grey
-   
741  
beige
-   
773  
brown
-   
441  
green
-   
386  
blue

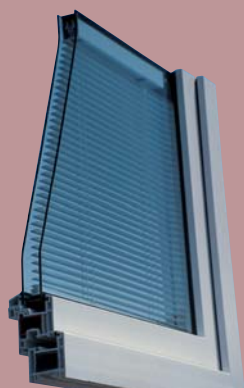
Transparent - Semitransparent - Opaque fabric  
with silver coloured coating on outside (high performance)

## Comfort and control for your home

ScreenLine® is an advanced tilting and lifting blind system designed specifically for residential applications, and is the ideal choice for conservatories, kitchens and bathrooms.

It offers outstanding control against glare and build-up of heat, and is operated by an external drive system enabling the homeowner to regulate their own comfort.

The slim integral blind is sealed within the insulated glazing unit, so it will never get dirty and cannot be damaged.



glass

blind

glass

In a ScreenLine® system, the blind (venetian or pleated) is encapsulated within two glass panes, e.g. in a double glazing unit. The movement of the blind, for manual or motorised systems, does not compromise the insulating properties of the double glazing unit, and therefore operates in a totally sealed environment.

The exclusive ScreenLine® characteristics ensure total protection against dirt, dust or weather conditions, and therefore blinds do not require any maintenance. The magnetic components have an almost indefinite life cycle having a loss of magnetic attraction of around 2% per 100 years.

The wide product choice and versatility of operation make ScreenLine® blind systems suitable for all types of framing systems.



REGENCY GLASS LTD  
Hope Carr Industrial Estate  
Butts Street • Leight • Lancashire WN7 3AE  
Tel. 01942 262162 • Fax 01942 261555

[www.regencyglass.co.uk](http://www.regencyglass.co.uk) • [enquiries@regencyglass.co.uk](mailto:enquiries@regencyglass.co.uk)

